



Perfect Solution for heat, odorous, muggy and dusty area.

Swift | Effective

## VENTILATION PRODUCTS FOR GREENHOUSE APPLICATION



Product of Taiwan



One Year Warranty



Permanent Service

WWW.YASUDA.COM.TW



**Ya Suh Dar Co., Ltd.**

**Taichung Head Office**

No.332, Ln. 549, Sec. 2, Sanfeng Rd., Fengyuan Dist.,  
Taichung City 42073, Taiwan

☎ / +886-4-25278062 📠 / +886-4-25291238 / +886-4-25293889

✉ / sales@yasuda.com.tw / contact@yasuda.com.tw



Ming Lun Electric Machinery Industrial Co., Ltd.



<Ya Suh Dar all rights reserved.>

AC Design 04-27071199

*We care about your needs*



# VENTILATION PRODUCTS FOR GREENHOUSE APPLICATION



## Ya Suh Dar Ventilation. Let Our Products Bring Your Greenhouse Some Fresh Air.

We design and manufacture all series of our products. 100% made in Taiwan with trustable quality. And with all the good comments we gain, using our product is no regret.

Starting our business for over a decade, we build our professional motor and fan manufacture techniques. With ISO 9001 quality management system certification, we made our products firm and durable. High efficiency, energy saving and strong air flow are marks of our fans. We help our customer's farm house get rid of heat and dust, cool their space and speed up the air circulation efficiently with our products. Ventilation solution consult and a visit to our company are always welcome.



- Featruer
- Exhaust Fan
- Circulation Fan
- Evaporative Cooling Pad
- Product Application

WWW.YASUDA.COM.TW



52" E601D Stainless Steel Blades  
Permanent-magnet synchronous motor  
All Stainless Steel Parts

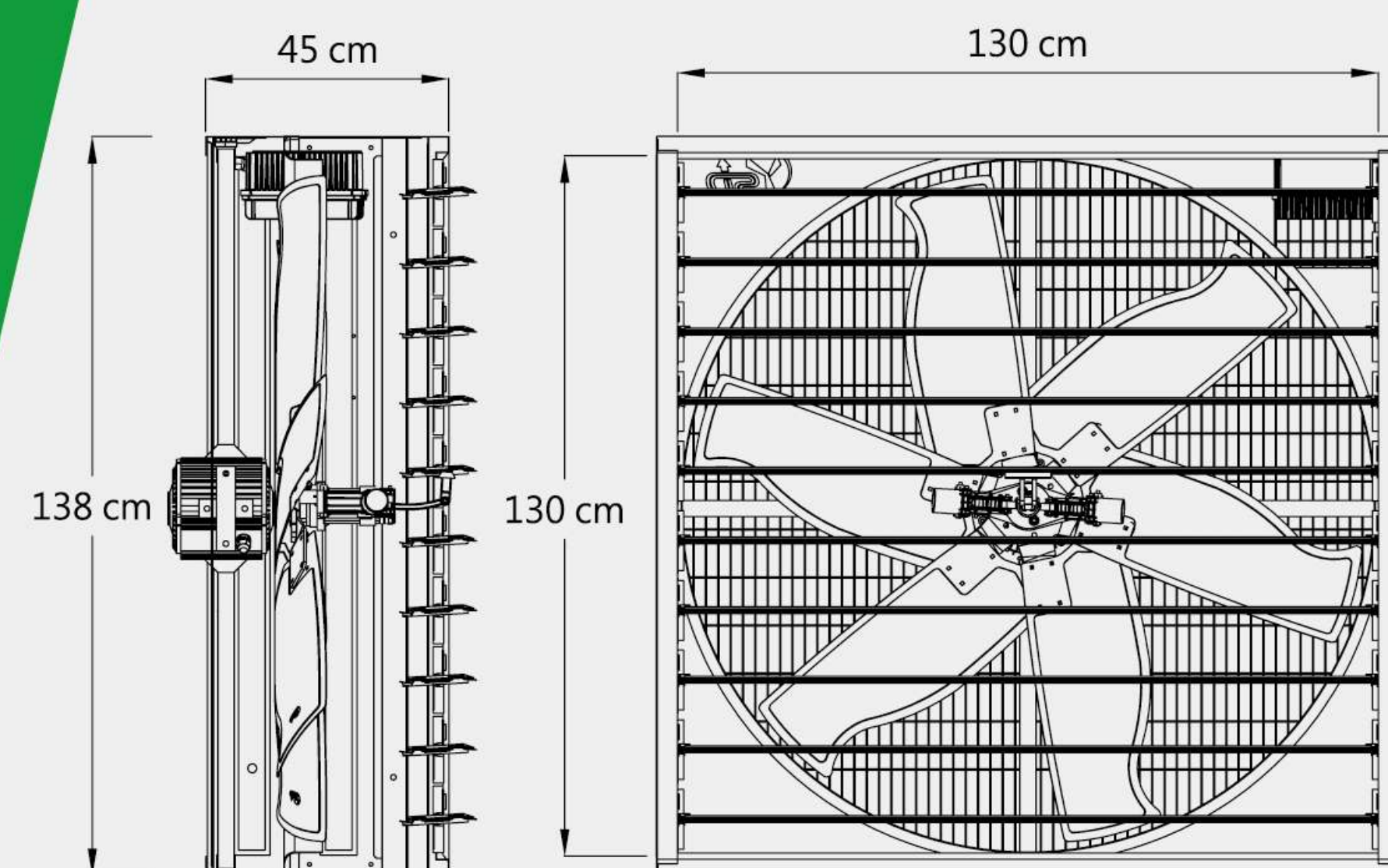
Direct Drive



50" E600B Alluminum Alloy Blades  
52" E601B Stainless Steel Blades  
Optional Stainless Steel Frame and Shutters

Belt Drive

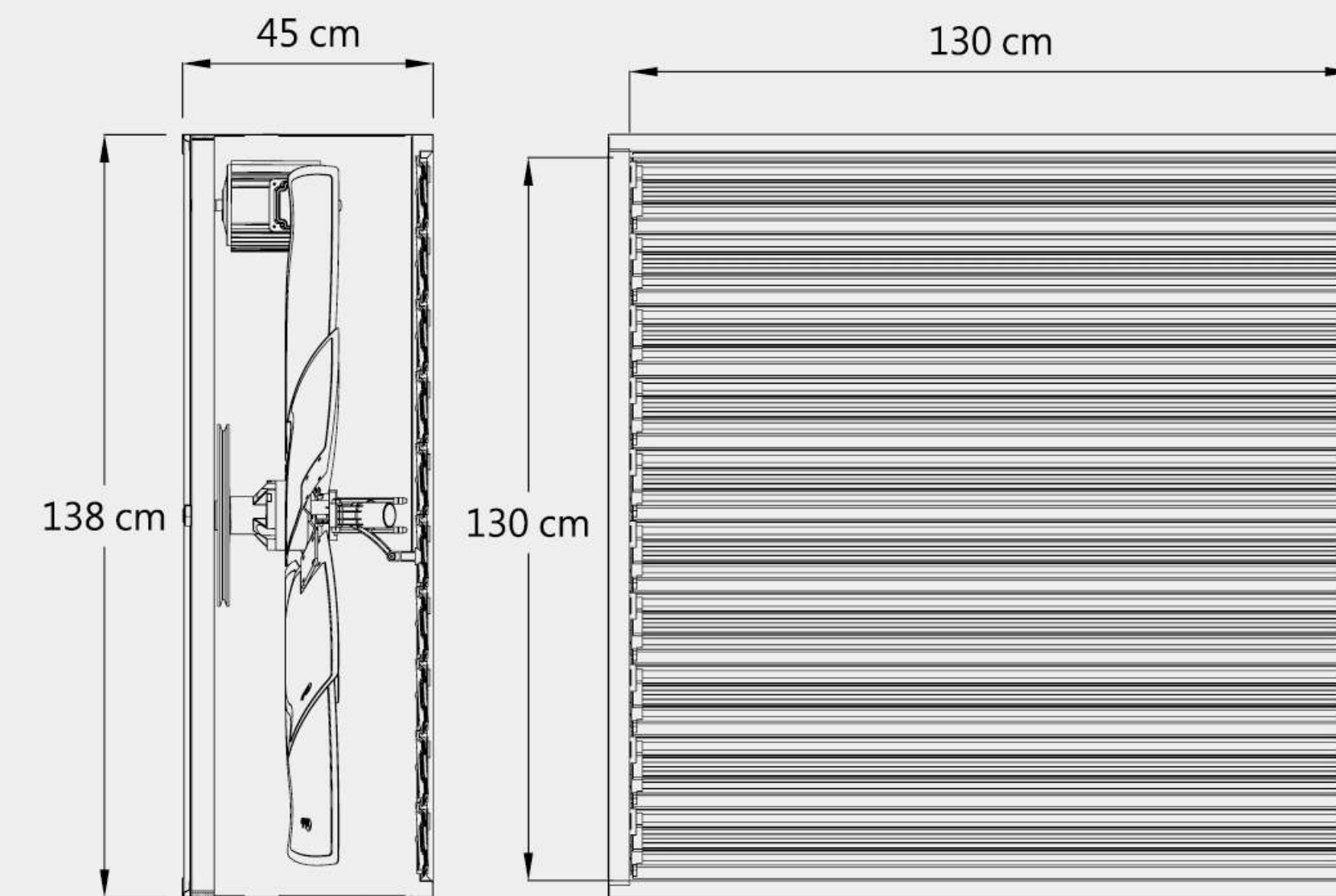
### Fan Dimensions



### Product Details

Model	E601D
External Frame	Stainless Housing
Fan Blades	52" 6 Stainless Blades
Motor	1HP PMSM, Grade F
Number of Poles	16 Pole
Rotating Speed	380 RPM
Sound Volume	70 dB (Detected form 3m near.)
Voltage	3 & 220V, 60Hz (Optional)
Current	3.9 A
Power Consumption	1100 w/hr
Air Volume	38000 CMH
Size	L138xW45xH138cm
Weight	90 kg

### Fan Dimensions



### Product Details

Model	E601B	E600B
External Frame	Stainless/Galvanized Steel	Galvanized Steel
Fan Blades	52" 6 Stainless Steel	50" 6 Aluminum Alloy
Motor	1HP AC Grade F	
Number of Poles	4 Pole	
Rotating Speed	380 RPM	
Sound Volume	70dB (Detected form 3m near.)	
Voltage	3 & 220V, 60Hz (Optional)	
Current	3.5A	
Power Consumption	1200W/hr	
Air Volume	35000CMH	
Size	L138*W45*H138cm	
Weight	81.5Kg	



# VENTILATION PRODUCTS FOR GREENHOUSE APPLICATION



- Featrue
- Exhaust Fan
- Circulation Fan
- Evaporative Cooling Pad
- Product Application

WWW.YASUDA.COM.TW



24" D24-FAN



22" D22-FAN



22" M801-PA



18" M901-PA



Model : Original 7090 Model : Black 7090



Water tower



Water pump

## Evaporative Cooling Pad

<b>L</b>	600mm	Length
<b>H</b>	1800mm	Height
<b>T</b>	150mm	Thickness
<b>α</b>	45, 15, 30	Angle with respect to the airflow direction
<b>β</b>	45, 60	Angle with respect to the airflow direction
<b>Hp</b>	7	Flute size (wave height)



## Circulation Fan

Model	D24-FAN	D24-FAN (Strong Type)	D22-FAN	M801-PA	M901-PA	M901-PA (Strong Type)
<b>External Frame</b>	PP	PP	Sus304 Stainless Steel	PP	PP	PP
<b>Blades</b>	24" 6 Nylon 6 + Fiber	24" 6 Nylon 6 + Fiber	22" 6 Nylon 6 + Fiber	22" 6 Nylon 6 + Fiber	18" 3 Nylon 6 + Fiber	18" 3 Nylon 6 + Fiber
<b>Motor</b>	1/4HP F	1/3HP F	1/3HP F	1/3HP F	1/6HP F	1/3HP F
<b>Pole</b>	8P	6P	6P	6P	6P	4P
<b>Rotating Speed(Max.)</b>	870RPM	1140RPM	1050RPM/1100RPM	1050RPM/1100RPM	1120RPM/1110RPM	1350RPM/1330RPM
<b>Sound Volnme(Max.)</b>	60dB	65dB	65dB	65dB	65dB	70dB
<b>Voltage</b>	1ϕ220V · 60Hz / 3ϕ220V · 60Hz	1ϕ220V · 60Hz / 3ϕ220V · 60Hz	1ϕ220V, 60Hz / 3ϕ220V, 60Hz	1ϕ220V, 60Hz / 3ϕ220V, 60Hz	1ϕ220V, 60Hz / 3ϕ220V, 60Hz	1ϕ220V, 60Hz / 3ϕ220V, 60Hz
<b>Wind Fetch(Max.)</b>	25m up	40m up	10m up	18m up	15m up	20m up
<b>Size</b>	L75xW30.5xH75cm	L75xW30.5xH75cm	60xW28cm	58xW48cm	50xW41cm	50xW41cm
<b>Weight</b>	21.5kg	21.5kg	Φ13kg	Φ18kg	Φ11kg	Φ11kg

Notes: The sound volume data are detected from 3 m near, and will be verified in different surrounding areas.



# VENTILATION PRODUCTS FOR GREENHOUSE APPLICATION



WWW.YASUDA.COM.TW

- Featruer
- Exhaust Fan
- Circulation Fan
- Evaporative Cooling Pad
- Product Application

